

DIN-Rail Mount Advanced Climate Control Module that installs near HAVC unit to save cost of wiring and to eliminate the need for standard ugly thermostats. being C,BUS enabled it can be controlled flexibly from any DDP panel and any BMS Automation Software. The HVAC Module can control Single and Multi stage Units (Heat, Cool, Fan low, High, Medium, VAV 0-10VDC) it can Handle any FCU, AHU, VAV System. With easy labeling space, Comes ready with LED indicator, network health, broadcast button. Good for applications witch require energy saving, Health intelligent control such as residential, commercial or industrial.  
 Advanced: HVAC Can be Manually Programmed by any Electrician on site without need for PC.

## Technical data



[www.smartsentido.com](http://www.smartsentido.com)

HVAC compatibility

commercial

### Power Compatibility

HAVC 80-240VAC, 50/60Hz  
 HVAC 12-48VAC Types  
 FAN/VAV 0-10VDC  
 Power consumption: 20-25mA

### System Compatibility

AHU (Air handling Units)  
 FCU (Fan Coil Units)  
 Single & Multi Stage Cool/Heat  
 3-Fan Speed (H,M,L)  
 VAV Damper Control (0-10V)

### Outputs

3 x Separated Switched Relay outputs rated at 16A each Ch.

### Control IO

3 x Advanced RS485 S-BUS serial port links (both train & screw link types)

### Upgrade IO

1 x mini USB port (to connect to special programming board)

### User Controls

- LED status indicator/channel
- Diagnostic LED+ BROADCAST

### Programming

- Manual Pairing Programming to DDP Panel.
- Advanced Software Configuration & Programming

### Compliance

CE Mark Low Voltage  
 CE Mark EMC  
 ROHs, CPT, SABS

- All Types of FCU
- VAV 0-10VDC

### Operation Protection

- PID Compressor Sequence
- Protecting Delay 0-60min
- Startup Delay 0-25 Sec.
- BUS Rv. Polarity Protection
- BUS Short Circuit Protection

### Presets

Accept Celosias and Fahrenheit temperature Settings  
 Cool temp Preset, Heat Preset.

### Installation

- 35mm DIN-Rail Mount Ready
- Wall Mount Ready (4P)

### CBUS DC Supply

24VDC with flexible tolerance between 12-36VDC. Flexible ability to add power supply as to be needed any where

### Wiring Terminals

10 each is good for 2 x 2.5mm<sup>2</sup> or 1 x 4mm<sup>2</sup> max conductor size

### Operating Environment

0° to 45°C ambient temperature  
 20% to 93% RH

### Enclosure & Size

Polycarbonate, DIN-rail (4 Unit)

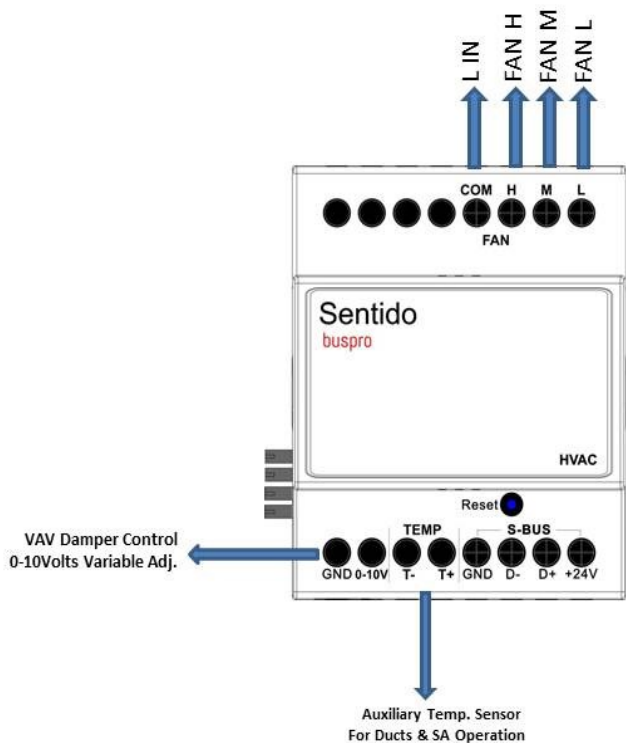
### Dimensions & Weight

W 91mm x L 73mm x H 75mm  
 Packed weight 0.26 kg

- All Types of AHU
- Relay Driven Fan Speed (H,M,L)



2022020400945,5



**Warning:** this is an electrical product, it must be installed only by trained & licensed electrician

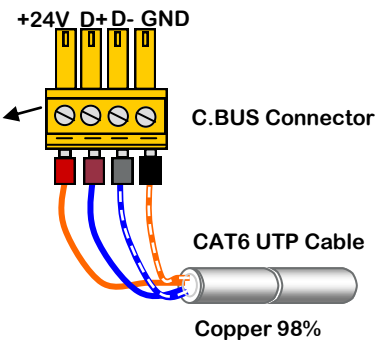


PROSPECTIVE











SIDE VIEW

### C-BUS CONNECTION



## UTP core colors



S.BUS +24V		orange
S.BUS GND		w/orange
S.BUS D+		blue
S.BUS D-		w/blue
Spare		green
Spare		w/green
Spare +12v		brown
Spare -12V		W/brown